

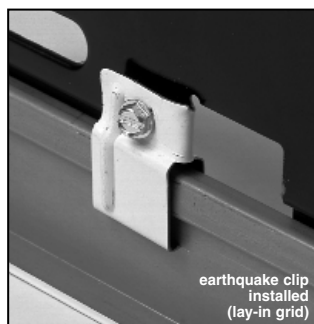
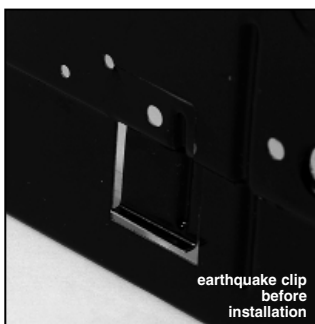
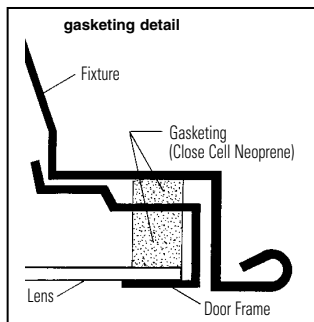
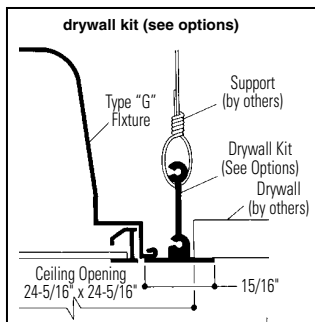
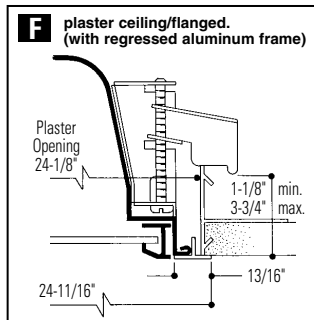
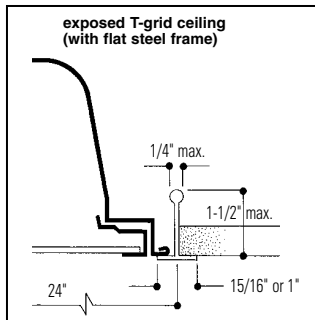
# CLEANGUARD WET LOCATION WES SERIES 2X2

## Features

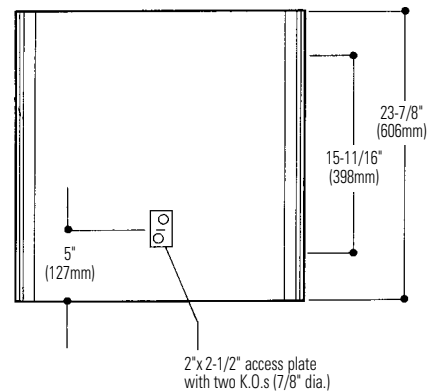
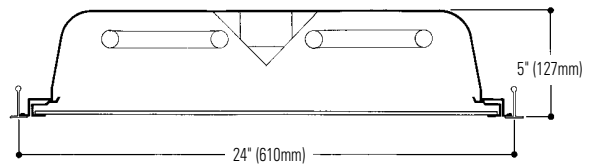
- UL and C-UL Listed for wet or damp locations for covered ceiling use.
- Full perimeter gasketing (closed cell Neoprene) between door frame and lens, between housing and door frame.
- Door frame is post painted, baked acrylic enamel.
- 5" deep body.
- 71.6% efficient (T8).
- Hemmed over side rails for maximum safety.
- Fixture ends turned-in for safe handling.
- Built-in earthquake clips.
- Slimline door frame with 475 square inch lens opening.
- Mitered corner steel lens frame.
- Spring loaded rooster head latches.
- 18 gauge steel hinges.
- Flat and regressed aluminum doors available.



## MOUNTING METHODS



## DIMENSIONS



## Job Information

## Type:

**Job Name:**

**Cat. No.:**

**Lamp(s):**

**Volts/Ballast:**

Lightolier a Genlyte Thomas Company

www.lightolier.com

Technical Information: (978) 657-7600 • Fax (978) 658-0595

631 Airport Road, Fall River, MA 02720 • (508) 679-8131 • Fax (508) 674-4710

We reserve the right to change details of design, materials and finish.

© 2002 Genlyte Thomas Group LLC (Lightolier Division)

A0902

SECTION 6/Folio N30-11

**LIGHTOLIER**



# CLEANGUARD WET LOCATION WES SERIES 2X2

## PHOTOMETRY

MODEL NO. WES2GFSVA26U

LER = FL - 58.6 IW - 56.3 BF - 0.87

Comparative yearly lighting energy cost per 1000 lumens = \$4.00

**TESTING LABORATORY**  
45 Industrial Way  
Wilmington, MA 01887  
(978) 657-7600

REPORT NO.: G00025 DATE: 02-28-2000  
CATALOG NO.: WES2GFSVA26U120SO  
LAMP(S): 2 T8 U6, EACH RATED 2750 LUMENS.  
LUMINAIRE: NEW 2X2 TROFFER WITH FS FRAME AND VA LENS  
0.47 AMPS 56.3 WATTS

**CANDELA DISTRIBUTION**

0	0	22.5	45.0	67.5	90.0	
0	1669	1669	1669	1669	1669	
5	1659	1659	1658	1661	1661	158
15	1578	1583	1593	1608	1614	451
25	1431	1451	1464	1489	1502	675
35	1212	1224	1249	1286	1309	785
45	913	925	960	1028	1068	750
55	572	576	611	646	673	553
65	318	300	302	337	342	319
75	160	157	146	185	192	178
85	58	60	62	77	78	70
90	0	0	0	0	0	

**ZONAL LUMEN SUMMARY**

ZONE	LUMENS	%LAMP	%FIXT
0-30	1283	23.3	32.6
0-40	2069	37.6	52.6
0-50	3369	61.3	85.6
0-90	3936	71.6	100.0
90-180	0	0.0	0.0
0-180	3936	71.6	100.0

TOTAL LUMINAIRE EFFICIENCY = 71.6 %  
TOTAL REFLECTANCE OF PAINT = 90.0 %

CIE TYPE - DIRECT  
PLANE : 0-DEG 90-DEG  
SPACING CRITERIA : 1, 2 1, 3  
SHIELDING ANGLES : 90 90  
PLANE : 0-DEG 90-DEG  
LUMINOUS LENGTH : 21.840 21.840

LUMINANCE DATA IN CANDELA/SQ M  
ANGLE AVERAGE AVERAGE AVERAGE  
IN DEG 0-DEG 45-DEG 90-DEG  
45 4194. 4410. 4206.  
55 3239. 3460. 3811.  
65 2444. 2321. 2629.  
75 2008. 1832. 2410.  
85 2162. 2311. 2907.

THIS REPORT IS BASED ON PUBLISHED INDUSTRY PROCEDURES • FIELD PERFORMANCE MAY DIFFER FROM LABORATORY PERFORMANCE

**coefficients of utilization — zonal cavity method** (effective floor cavity reflectance 0.20)

	20			50			80		
	RF	RC	RW	RF	RC	RW	RF	RC	RW
	room cavity ratio	79	75	73	71	69	67	68	66
1	72	67	62	63	59	56	61	58	55
2	66	59	54	56	52	48	54	51	47
3	61	53	47	50	46	42	49	45	41
4	56	48	42	45	40	37	44	40	36
5	52	43	37	41	36	32	40	36	32
6	49	39	33	38	33	29	37	32	29
7	45	36	30	35	30	26	34	29	26
8	42	33	28	32	27	24	31	27	23
9	40	31	25	30	25	21	29	25	21
10									

**visual comfort probability** (rated lumens per lamp 3150.)

room size	ceiling height					
	W	L	8.5	10.0	13.0	16.0
20	20	20	56	60	66	73
20	30	30	50	53	57	63
20	40	40	47	49	53	57
20	60	60	43	46	49	52
30	20	20	58	61	66	72
30	30	30	51	54	57	62
30	40	40	47	49	52	55
30	60	60	43	46	47	50
30	80	80	42	44	45	48
40	20	20	59	63	67	71
40	30	30	52	55	58	62
40	40	40	48	50	52	55
40	60	60	44	46	48	50
40	80	80	42	44	44	47
40	100	100	42	43	43	45
60	30	30	53	56	59	63
60	40	40	48	51	53	56
60	60	60	44	47	48	50
60	80	80	42	44	44	47
60	100	100	42	43	42	45
100	40	40	51	53	55	58
100	60	60	47	49	49	52
100	80	80	44	46	46	48
100	100	100	43	44	43	46

## ORDERING INFORMATION

Explanation of Catalog Number. Example: WES2GFSVA26U120SOGLR

<b>WE</b>	<b>S</b>	<b>2</b>							
<b>CLEANGUARD WET LOCATION</b>	<b>STATIC</b>	<b>FIXTURE WIDTH</b>	<b>CEILING TYPE:</b> G= Grid (lay-in T bar) F=Flanged (overlap) Z spline and plaster frame	<b>LENS FRAME:</b> FS= Flat steel frame RA=Regressed aluminum frame FA=Flat aluminum frame	<b>LENS/SHIELDING TYPE:</b> VA (virgin acrylic) standard (see options and consult factory)	<b>LAMP QUANTITY:</b> 2=2 Lamp 3=3 Lamp (Not with 6" spacing) 4=4 Lamp (T8, 2' Lamp Only)	<b>LAMP/ FIXTURE LENGTH:</b> 6U=6" U Lamp T8 or T12 2U=T8, 1-5/8" U Lamp FT=Twin Tube T5 17=T8, 2' Lamp (Nominal 24")	<b>VOLTAGE:</b> 120 or 277	<b>OPTIONS:</b> Add appropriate suffix to catalog no., ie: (GLR)
								<b>BALLAST TYPE:</b> 1-2 Lamp Mag. T12	<b>LE</b> <20THD <b>S0*</b> <b>H1*</b> <b>S0*</b> <b>H1*</b> <b>SB*</b> <b>IB*</b> <b>X3*</b> <b>I3*</b> <b>O4*</b> <b>H4*</b> <b>PS</b> - <b>PB</b> -

Other dimming options. Consult factory. \*Instant Start Standard

## OPTIONS & ACCESSORIES

**SPECIAL LENSES:** Substitute **VI** for **VA** (standard). .125" nominal pattern 12 with 6.8 oz. average weight per square foot.

**PLASTER FRAME:** Catalog number: **PF22**.

**CONTINUOUS ROW INSTALLATION:** For F type fixtures, half-width flanges are required between fixtures. Order Catalog Number: **S2FC TRIM** (each joint).

**RADIO INTERFERENCE FILTER** 120 or 277 volt, 50 or 60 Hz. One per fixture is standard. SUFFIX: **RF**.

**FUSING:** Internal fast-blow fusing. SUFFIX: **GLR**.

Internal slow-blow fusing. SUFFIX: **GMF**.

**ELECTRICAL/WIRING OPTIONS:** Consult factory.

**DRYWALL KIT:** Order Catalog Number: **FK91X4**. Request Folio OA30-10.

**CHICAGO PLENUM:** SUFFIX: **CP**.

## SPECIFICATIONS

**PERFORMANCE:** In an installation of 2 lamp 31W luminaires in a room cavity ratio of 1, reflectance 80% ceiling, 50% wall, 20% floor, the C.U. shall not be less than .75. To prevent glare the VCP shall be not less than 40 either length-wise or crosswise (at 100fc level) and the average brightness at 65° shall not exceed 2629 candelas per square meter. To control veiling reflections, luminaire output in the 30°-90° zone shall not be less than 67.4%.

**MATERIALS:** Chassis parts are die-formed code gauge cold rolled steel. **Housing** with side rails hemmed over and housing ends turned-in for safe handling.

**FINISH:** Chassis exterior—black baked polyester enamel. **Cavity**—white baked polyester enamel minimum 86% reflectance. Phosphate undercoating.

**LENSES:** **VA** (standard) extruded virgin acrylic, 3/16" square based female cones, running 45° to the panel edge, .095" nominal thickness (similar to pattern 12). **VI** (optional). .125" nominal pattern 12 with 6.8 oz. average weight per square foot.

**ELECTRICAL:** Thermally protected class "P" ballast C.B.M. approved, non PCB. If K.O. is within 3" of ballast, use wire suitable for at least 90°.

**LABELS:** I.B.E.W./UL and C-UL.

## Job Information Type:

**Lightolier** a Genlyte Thomas Company [www.lightolier.com](http://www.lightolier.com)  
Technical Information: (978) 657-7600 • Fax (978) 658-0595  
631 Airport Road, Fall River, MA 02720 • (508) 679-8131 • Fax (508) 674-4710  
We reserve the right to change details of design, materials and finish.  
© 2002 Genlyte Thomas Group LLC (Lightolier Division)  
A0902 **SECTION 6/Folio N30-11**

**LIGHTOLIER**